



LED Tube Lighting Pty. Ltd.

ACN 163 405 810

Supplier number E2183

Head Office:
47 Alexandra Rd
Ascot Qld 4007

T: (07) 3040 0331
E: info@ledtubelighting.com.au
W: www.ledtubelighting.com.au

Module LED Flood Light 180W



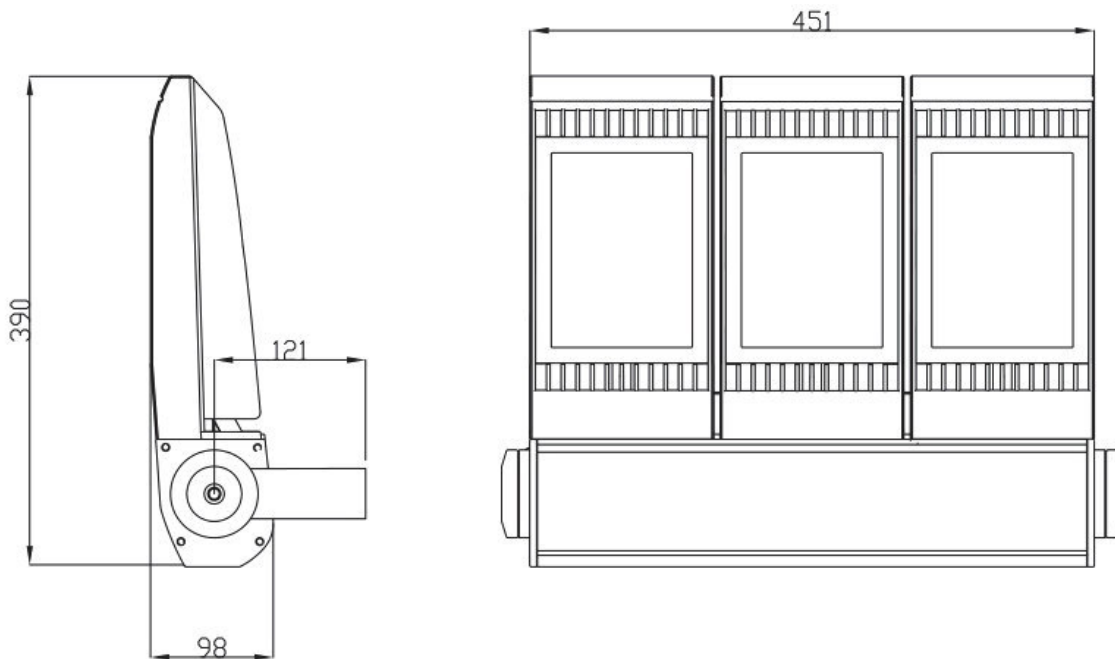
1 Features

- 1 Unlike a traditional LED flood light which has a heat sink on the back of the lamp, our latest model has a special fin type heat sink built into the case. This makes the lamp lighter and provides for superior heat dissipation.
- 2 The LED driver is installed away from the heat sink. This separation of the LED driver creates a lower heat working environment giving the lamp a longer life span.
- 3 IP67
- 4 Beautiful appearance using Philips LEDs with super luminous 120+LM/W.
- 5 A Mean Well LED driver. With 3 year guarantee.

2 Application of the lamp.

For outdoor lighting, such as architecture, industrial area, factory, gym, garden, sea port and so on.

3 Dimensions of the lamp.



4 Main technical parameters

Item No.	CCT	Ra	Lumens	Input Wattage	Lamp power
WX-FG-M-180W	5000-5650K	≥70	21000	AC100-277	216±6 W
LED: PHILIPS REBEL					
Storage Temperature : - 40 ~ 50°C					



LED Tube Lighting Pty. Ltd.

ACN 163 405 810

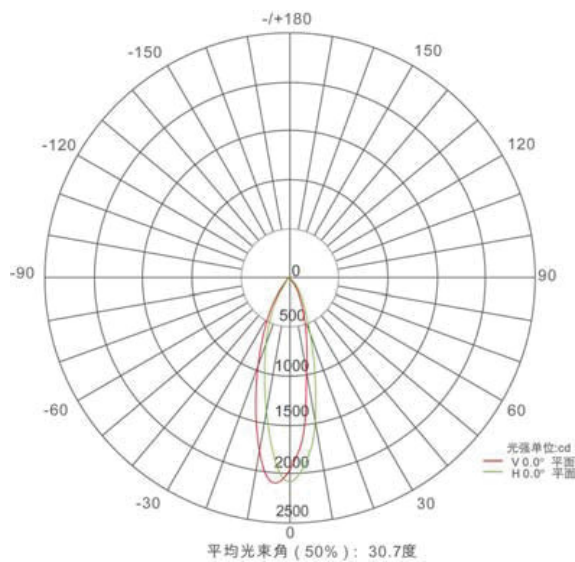
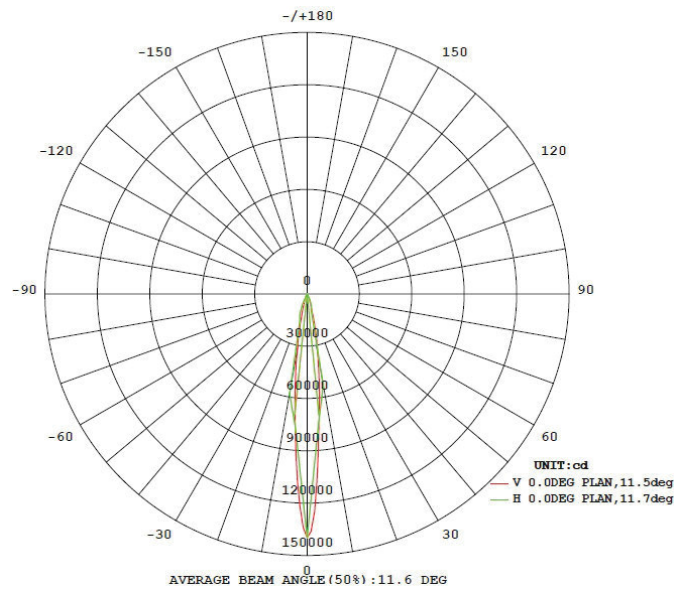
Supplier number E2183

Head Office:
47 Alexandra Rd
Ascot Qld 4007

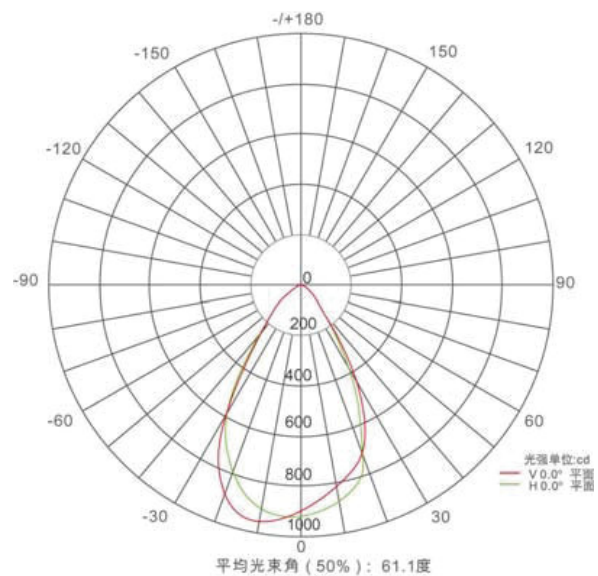
T: (07) 3040 0331
E: info@ledtubelighting.com.au
W: www.ledtubelighting.com.au

5 Light distribution parameters

10degree



30degree



60degree



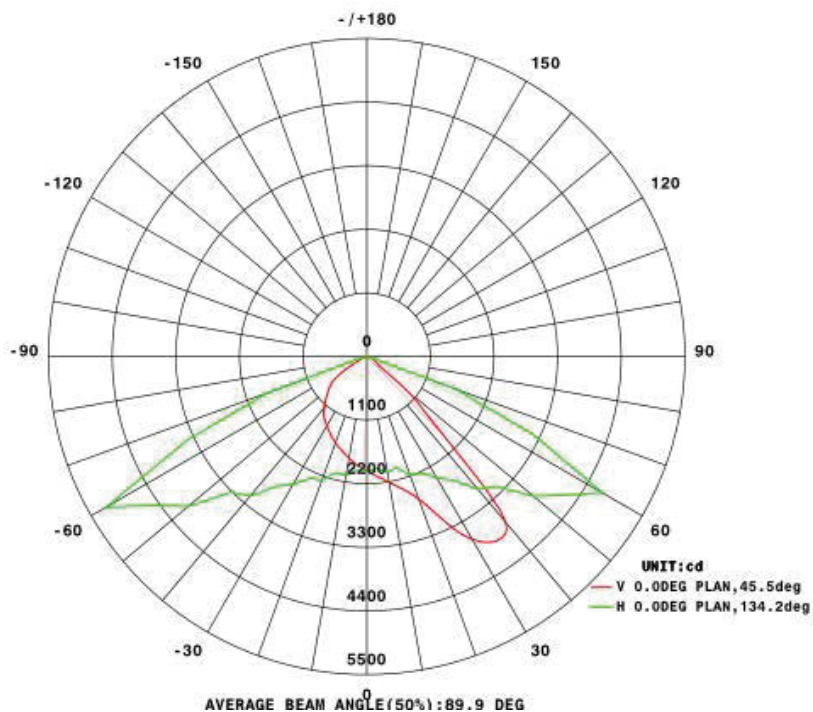
LED Tube Lighting Pty. Ltd.

ACN 163 405 810

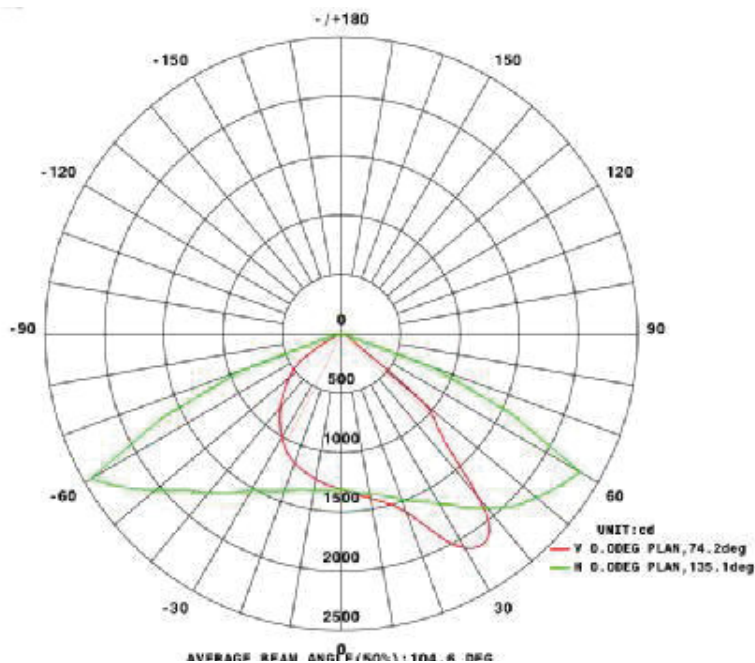
Supplier number E2183

Head Office:
47 Alexandra Rd
Ascot Qld 4007

T: (07) 3040 0331
E: info@ledtubelighting.com.au
W: www.ledtubelighting.com.au



60x135 degree



85x135 degree



LED Tube Lighting Pty. Ltd.

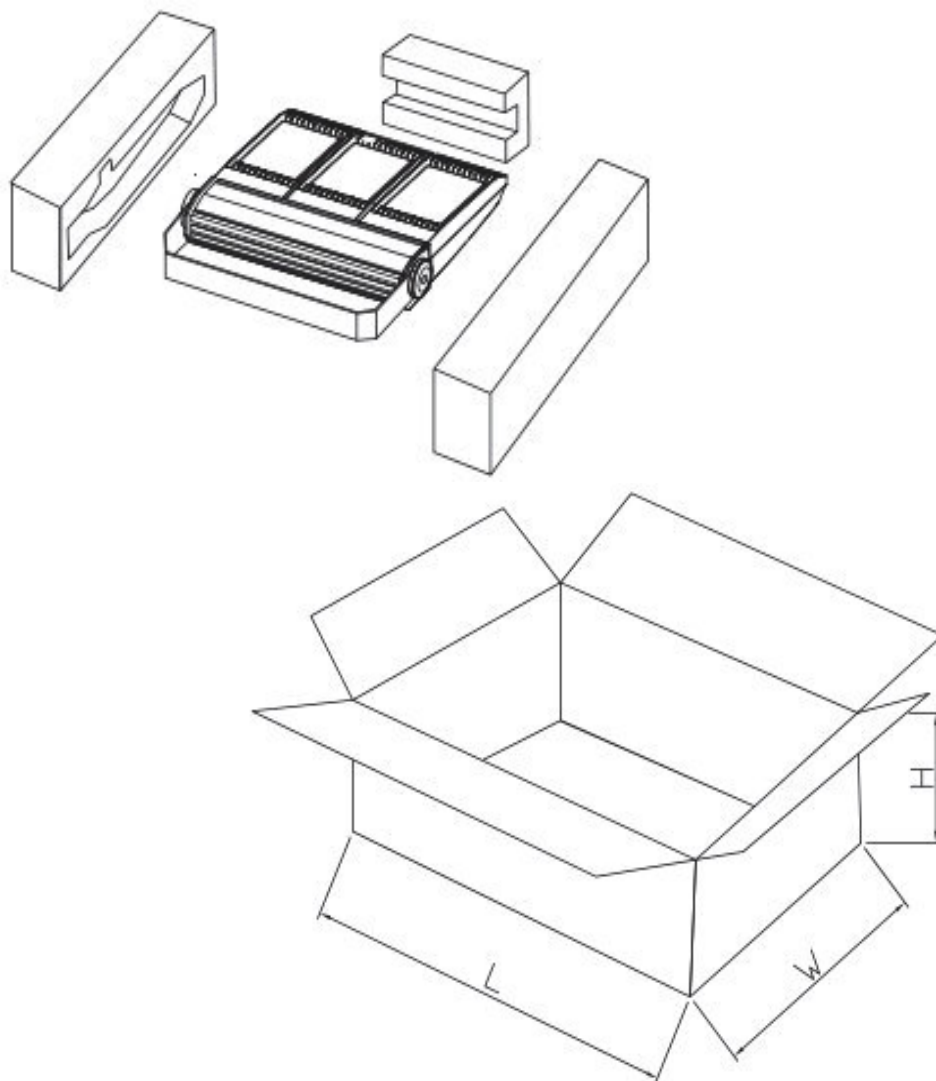
ACN 163 405 810

Supplier number E2183

Head Office:
47 Alexandra Rd
Ascot Qld 4007

T: (07) 3040 0331
E: info@ledtubelighting.com.au
W: www.ledtubelighting.com.au

6 Package



Net weight/pc	Gross weight/pc	Carton	Inner box	Quantity/Carton
12.5 KG	12.9KG	520*539*165mm	*	1pcs



LED Tube Lighting Pty. Ltd.
ACN 163 405 810
Supplier number E2183

Head Office:
47 Alexandra Rd
Ascot Qld 4007

T: (07) 3040 0331
E: info@ledtubelighting.com.au
W: www.ledtubelighting.com.au

7 Instructions for installation

- Cut off the power and make sure the wall can support the weight of the lamp before installing.
- Make sure the lamp is secure and correctly installed.
- Do not use the lamp in any area near flammable fumes or gases.
- Do not cover the lamp.
- Be careful and connect the ground wire.
- Altering the product or installing it incorrectly will void the warranty.

8 Instructions for installation.

