



LED Tube Lighting Pty. Ltd.

ACN 163 405 810

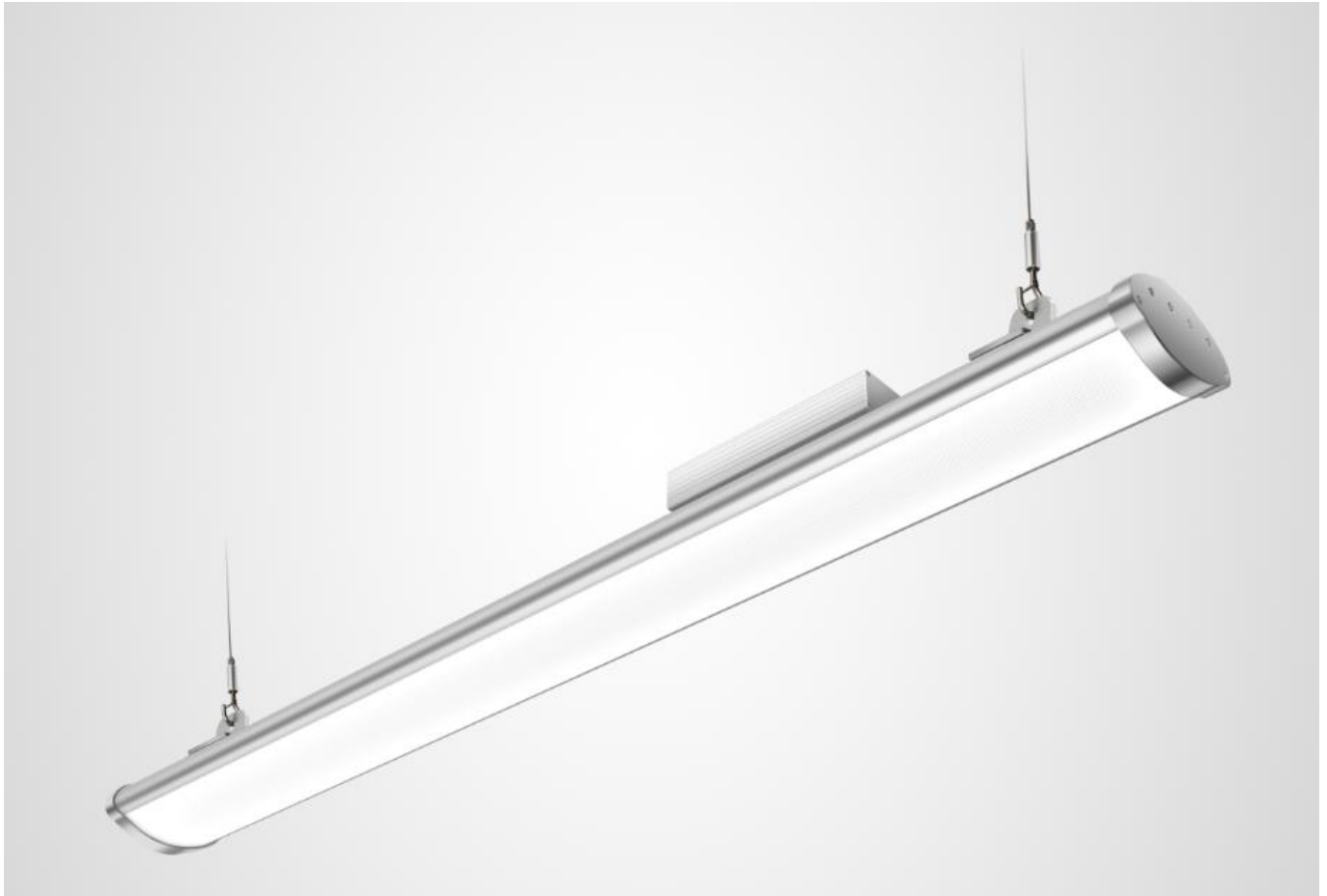
Supplier number E2183

Head Office:
47 Alexandra Rd
Ascot Qld 4007

T: (07) 3040 0331
E: info@ledtubelighting.com.au
W: www.ledtubelighting.com.au

LED High bay Tube

Available in: 60W/80W/100W/120W/150W/180W/200W/220W



Better heat dissipation, higher light efficiency, more power choices

Feature

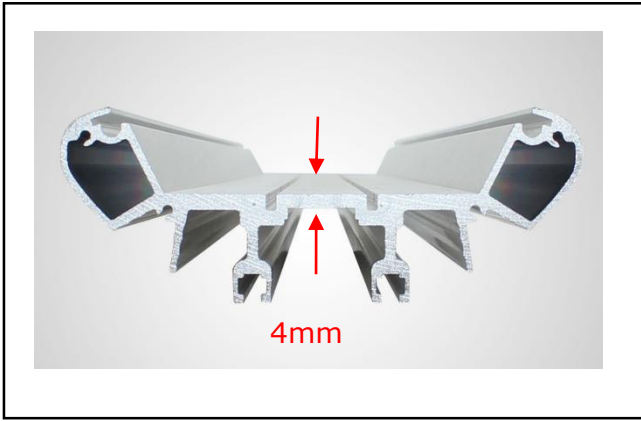
- IP65, corrosion-proof, water-proof and dust-proof
- Power options: 60/80/100/120/150/180/200/220W
- Suitable for 4 to 12 meters height
- As high as 110lm/w
- Meanwell driver, 1-10V and DALI dimmable available
- 5 year warranty
- TUV, UL, DLC, CE, Rohs, SAA certificate
- Dimmable Option



E2183

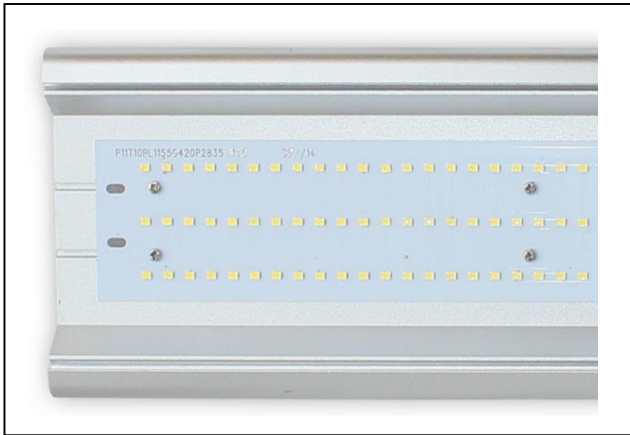
LED High Bay Tube

1. Better heat dissipation



4mm heat sink, 1mm thicker than other models, provides maximum heat dissipation to prolong the life of the LEDs

2. More LED



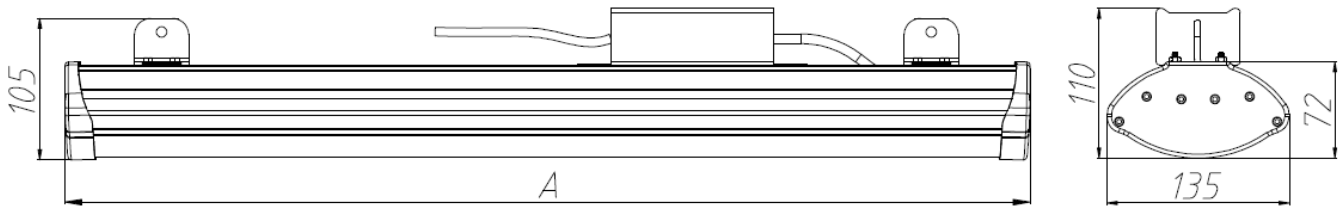
A dense array of up to 672 x SMD 2835 LED chips ensures even, luminous and efficient (110lm per watt) lighting.

3. Easy installation



High Bay Tube quickly installs on suspension cables supplied.

Dimensions:



A=605mm, 905mm, 1205mm, 1505mm.

Specifications:

Model Name	LEDTL-FYT-T60W	LEDTL-FYT-T80W	LEDTL-FYT-T100W	LEDTL-FYT-T120W
Size	605*135*72mm	605*135*72mm	905*135*72mm	905*135*72mm
Material	Aluminum & PC cover (clear and milky cover)	Aluminum & PC cover (clear and milky cover)	Aluminum & PC cover (clear and milky cover)	Aluminum & PC cover (clear and milky cover)
Working Voltage	100-277V AC	100-277V AC	100-277V AC	100-277V AC
Power	60W	80W	100W	120W
Lumen	6500-7500lm	9000-10000lm	11000-12000lm	13000-14000lm
Beam Angle	120°	120°	120°	120°
LED Chip	210PCS SMD2835	252PCS SMD2835	294PCS SMD2835	336PCS SMD2835
Color Temperature	3000K~6500K	3000K~6500K	3000K~6500K	3000K~6500K
CRI	>80	>80	>80	>80
IP Grade	IP65	IP65	IP65	IP65
Power Driver	Meanwell SLG-60-48A	Meanwell HLG-80H-48A	Meanwell CLG-150-48A	Meanwell CLG-150-48A
Lifetime	50,000 Hours	50,000 Hours	50,000 Hours	50,000 Hours
Warranty	5 Years	5 Years	5 Years	5 Years
Package	8.2kg , 2pcs/carton	8.2kg , 2pcs/carton	11.8kg , 2pcs/carton	11.8kg , 2pcs/carton
Certificates	UL, TUV, CE, RoHS, SAA	UL, TUV, CE, RoHS, SAA	UL, TUV, CE, RoHS, SAA	UL, TUV, CE, RoHS, SAA



LED Tube Lighting Pty. Ltd.

ACN 163 405 810

Supplier number E2183

Head Office:
47 Alexandra Rd
Ascot Qld 4007

T: (07) 3040 0331
E: info@ledtubelighting.com.au
W: www.ledtubelighting.com.au

Specifications:

Model Name	LEDTL-FYT-T150W	LEDTL-FYT-T180W	LEDTL-FYT-T200W	LEDTL-FYT-T220W
Size	1205*135*72mm	1205*135*72mm	1505*135*72mm	1505*135*72mm
Material	Aluminum & PC cover (clear and milky cover)	Aluminum & PC cover (clear and milky cover)	Aluminum & PC cover (clear and milky cover)	Aluminum & PC cover (clear and milky cover)
Working Voltage	100-277V AC	100-277V AC	100-277V AC	100-277V AC
Power	150W	180W	200W	220W
Lumen	15500-17000lm	18500-21000lm	20000-22000lm	22500-25000lm
Beam Angle	120°	120°	120°	120°
LED Chip	420PCS SMD2835/336PCS SAMSUNG SMD5630	546PCS SMD2835	588PCS SMD2835	672PCS SMD2835
Color Temperature	3000K~6500K	3000K~6500K	3000K~6500K	3000K~6500K
CRI	>80	>80	>80	>80
IP Grade	IP65	IP65	IP65	IP65
Power Driver	Meanwell CLG-150-48A	Meanwell HLG-185H-48A	Meanwell HLG-240H-48A	Meanwell HLG-240H-48A
Lifetime	50,000 Hours	50,000 Hours	50,000 Hours	50,000 Hours
Warranty	5 Years	5 Years	5 Years	5 Years
Package	15.5kg , 2pcs/carton	15.5kg , 2pcs/carton	19.2kg , 2pcs/carton	19.2kg , 2pcs/carton
Certificates	UL, DLC, TUV, CE, RoHS, SAA	UL, TUV, CE, RoHS, SAA	UL, TUV, CE, RoHS, SAA	UL, TUV, CE, RoHS, SAA